

# Flat Roof Vents

## b/s/t PE Pipe Duct KD

Specification ←

**Material**

PE, high impact strength,  
UV-stabilised

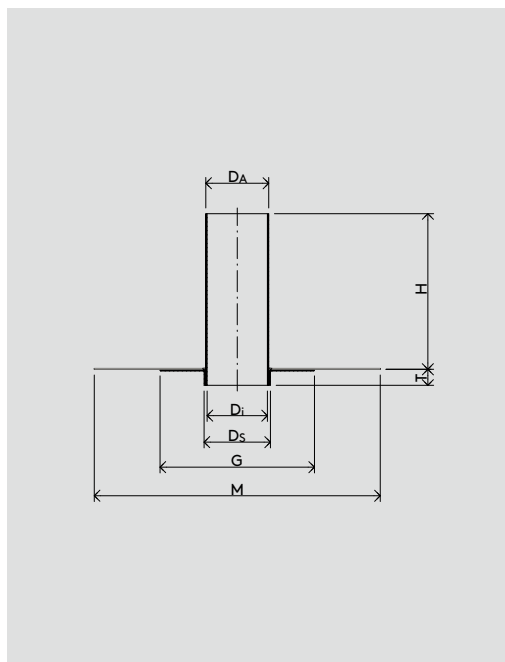
**Membrane flange**

PE (see page 159)

INFO

Please order ←  
membrane  
flange  
separately

Special models ←  
on request\*



WG 2111 ←

Nominal Width	Product No.	DAØ [mm]	DiØ [mm]	DsØ [mm]	G [mm]	M [mm]	H [mm]	T [mm]
DN 50	PE110-KD050	50	44.0	56	200	350	272	28
DN 70	PE110-KD070	75	71.2	81	200	350	272	28
DN 80	PE110-KD080	90	84.4	96	200	350	272	28
DN 100	PE110-KD100	110	104.6	116	270	500	272	28
DN 125	PE110-KD125	125	118.8	131	270	500	272	28
DN 150	PE110-KD150	160	152.0	166	270	500	272	28
DN 200*	PE110-KD200	200	187.6	206	400	580	272	28
DN 250*	PE110-KD250	250	234.6	256	400	580	272	28
DN 300*	PE110-KD300	315	295.6	321	500	680	272	28

\* Custom-made products cannot be returned.

Status: 03/22 b/s/t GmbH Koch Kunststofftechnologie reserves the right to make technical modifications.